

High-quality Line Components



- Sight glasses
- Ball valves
- Check valves
- Shut-off valves



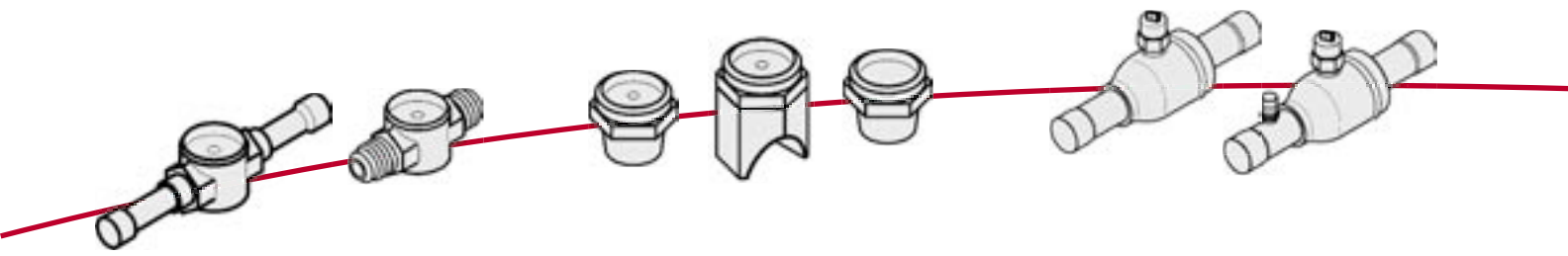
Danfoss - your solution provider

Danfoss offers a wide range of sight glasses, check valves, ball valves and shut-off valves covering the majority of customer demands.

Our production utilises state-of-the-art processes and every product is thoroughly tested in accordance with the most demanding standards.

If the component you are looking for is not mentioned in this leaflet or if you have special requirements, our competent personnel are always ready with help and guidance.

Make sure you obtain the right solution - contact your local Danfoss sales company or find us on <http://www.danfoss.com/how2con/>



SG sight glasses

- Crystal clear glass makes it easy to see the status of the plant
- Quick indication of excessive humidity in refrigeration plant
- Lack of sub-cooling indication

Type(s):
SGI, SGN, SGR sight glasses

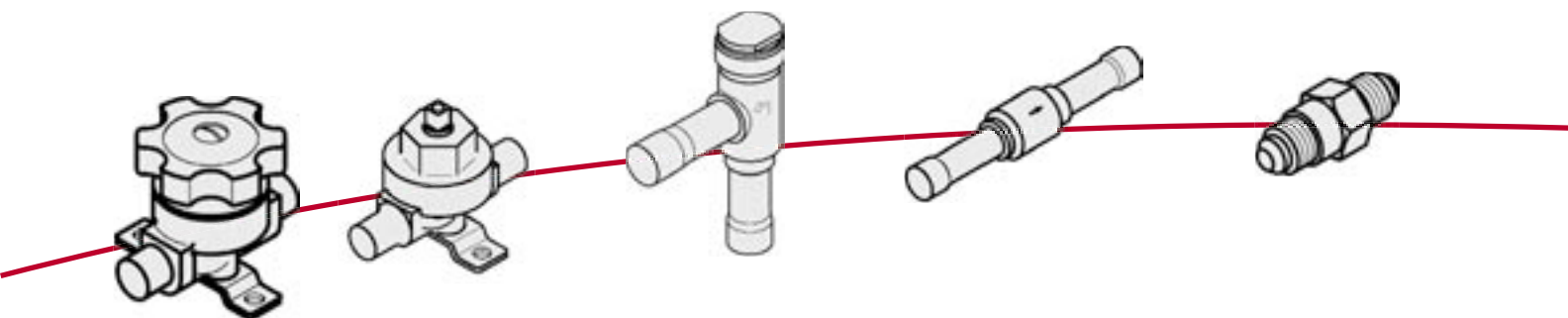
Facts:
- Sizes from 1/4" (6 mm) to 1 1/8" (22 mm)
- For HCFC, CFC, HFC refrigerants

GBC ball valves

- Flow without pressure drop
- Bidirectional flow
- One-piece seal cap for safety purposes

Type(s):
GBC straightway ball valves with or without access port

Facts:
- Sizes from 1/4" (6 mm) to 3 1/8" (54 mm)
- For HCFC, CFC, HFC refrigerants



BML/BMT shut-off valves

- No refrigerant migration when closed
- Very high reliability
- Optional sealed cap available

Type(s):
BML straightway shut-off valve with or without handwheel

Facts:
- Sizes from 1/4" (6 mm) to 7/8" (22 mm)
- For HCFC, CFC, HFC refrigerants

NRV/NRVH check valves

- Special damping piston design
- Ensures correct flow direction
- Oversize connections

Type(s):
NRV straightway & angleway valves

Facts:
- Sizes from 1/4" (6 mm) to 1 5/8" (42 mm)
- For HCFC, CFC, HFC refrigerants

Quality in everything we do

Refrigeration and Air Conditioning Controls, part of the Danfoss Group, is certified in accordance with international standards ISO 9001 and ISO 14001.

Danfoss thus fulfils international standards with respect to product development, design, production, sale and environmental awareness.



The majority of our line components are produced in our new factory in China.

Connections and sizes

Type	Connection type	Connection size		Options
		mm	inch	
SGI & SGN sight glasses	<i>ODF × ODF:</i> Solder × solder	6 - 22	1/4 - 1 1/8	Oversize
	<i>ODF × ODM:</i> Solder × solder	6 - 22	1/4 - 7/8	
	Flare × flare	6 - 19	1/4 - 3/4	
	Flare int. × ext.	6 - 19	1/4 - 3/4	
SGR, SGRN & SGRI sight glasses	Pipe thread		G 3/4 A ¹⁾	
	NPT		1/2 - 3/4	
GBC ball valves	Solder × solder	6 - 54	1/4 - 3 1/8	Schräder valve
BML shut-off valves	Solder × solder	6 - 22	1/4 - 7/8	
	Flare × flare	6 - 22	1/4 - 7/8	
BMT shut-off valves	Solder		1/4	
NRV / NRVH check valves	<i>Straightway:</i> Solder × solder	6 - 22	1/4 - 7/8	Oversize
	Flare × flare	6 - 19	1/4 - 3/4	
	<i>Angleway:</i> Solder × solder	22 - 41	7/8 - 1 5/8	Oversize

¹⁾ ISO 228/1